

“INTERNATIONAL” COMPETITION WRESTLING MAT 12 x 12 m - 6 cm THICK - THREE COLOURS - APPROVED BY UNITED WORLD WRESTLING (UWW)



- ❑ UWW approved (United World Wrestling)
- ❑ Uniform combat area.
- ❑ Dynamic, shock-absorbing mat with dual-density foam for high-level practice.
- ❑ Cover made from resistant, high-quality PVC in three colours, vat-dyed with regulatory markings in Orange, Dark Blue and Navy Blue.

TECHNICAL SPECIFICATIONS

Ref. 523 -WRESTLING MAT

- Dimensions with mat = 1200 x 1200 x 60 cm (L x W x Thk) consisting of:

Cover:

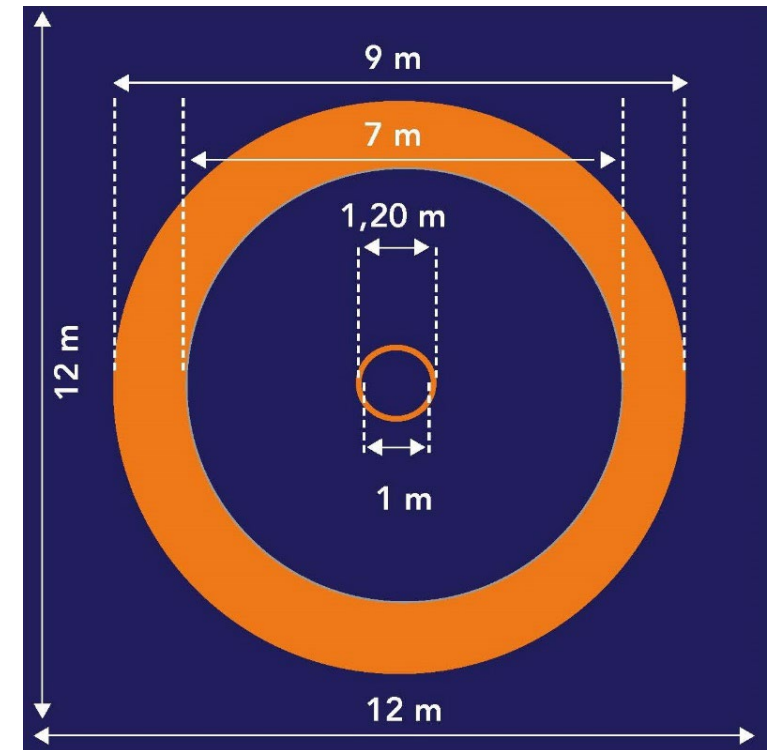
- Measuring 12.25 m x 12.25 m, overhanging the mats, covering their edges and extending onto the floor for a better finish.
- Cover made from 1000 denier PVC, class M2 fire rating, phthalate-free and UV resistant.
- Attached by 5 cm self-gripping strips, on the underside of the cover to a soft and flexible, carpet-foam surrounding frame (roll-up track type)
- For greater strength, the cover circles are bonded rather than painted.
- Cover only available separately **Ref. 534**.

- Centre circle:

- Diameter: 1.20 m (inner) x 1 m (outer)
- Colour: orange (Pantone 158C)
- Marking in accordance with the UWW standard

- Gymnastics area:

- Diameter: 7 m
- Colour: dark blue (Pantone 2757C)
- Including the centre circle
- Marking in accordance with the UWW standard



- ❑ End of the gymnastics area, passivity zone:
 - Diameter: between 7 m and 9 m, 1 m wide, bordering the central gymnastics area
 - Colour: orange (Pantone 158C)
- ❑ Safety area outside the gymnastics practice area:
 - Dimensions: up to 12 x 12 m
 - Colour: navy blue (Pantone 654C)

Foam mat consisting of:

- ❑ Total area = 12 m x 12 m x 60 mm => 144 m²

Central dual-density foam:

Central area in dual-density foam, 11 x 11 m, 6 cm thick, made up of 60 panels of 2 x 1 m and 1 panel of 1 x 1 m.

Composition:

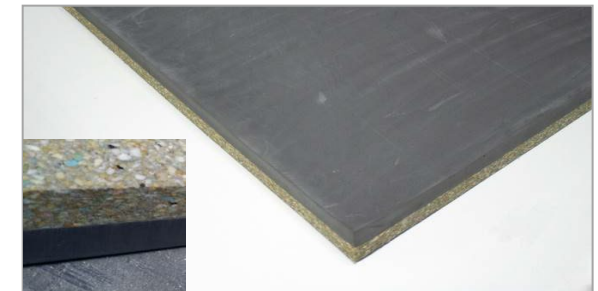
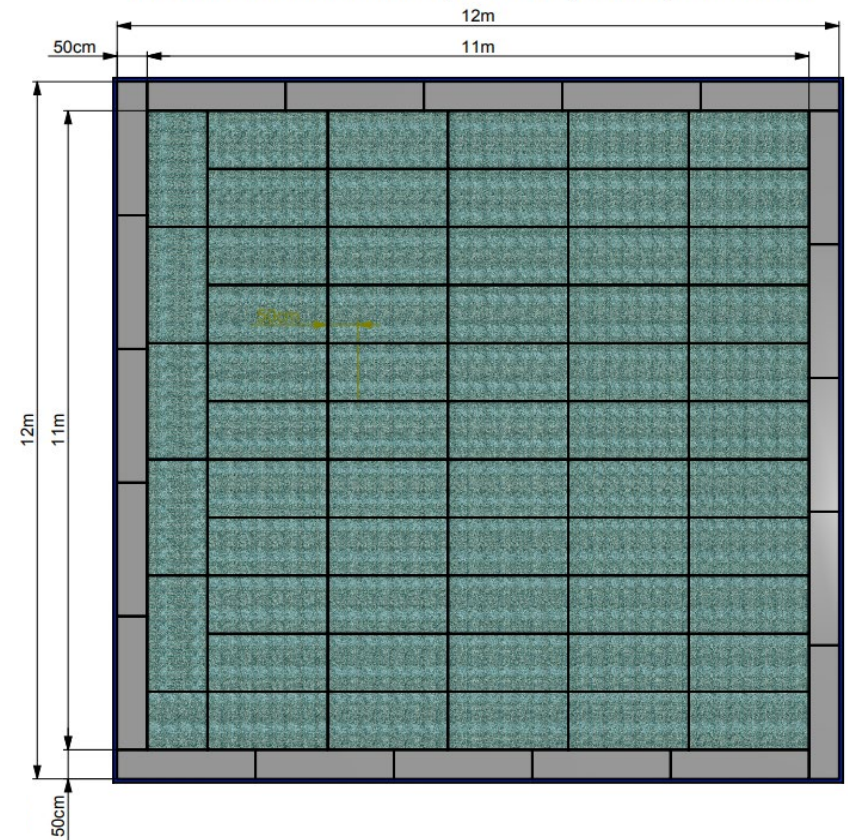
Top layer:

- Polyethylene foam: 3 cm
- Minimum density 45 kg/m³

Bottom layer:

- Bonded polyurethane foam: 3 cm
- Minimum density 120 kg/m³

Area of dual-density foam 12 x 12 m, 6 cm thick (Ref.: 523/10) - Bottom view



Surrounding frame:

Flexible carpet foam made up of 20 edges measuring 2.30 m x 0.5 m, 6 cm thick.

Composition:

- A blue needle-punched carpet glued on top of the 6 mm thick foam, allowing self-gripping strips to be attached to the underside of the cover.
- Dual-density foam:

Polyethylene foam:

- Light grey
- Density 28 kg/m³

Non-slip polyethylene foam:

- Black
- Density 40 kg/m³

