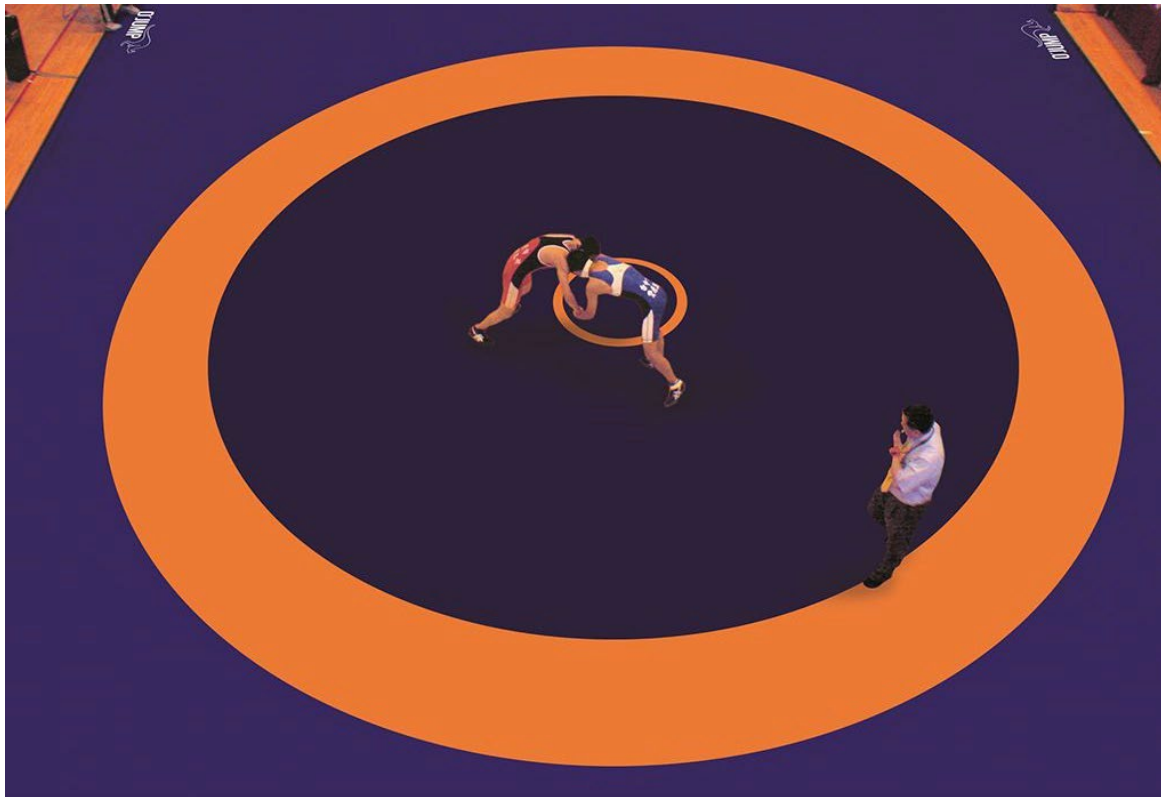


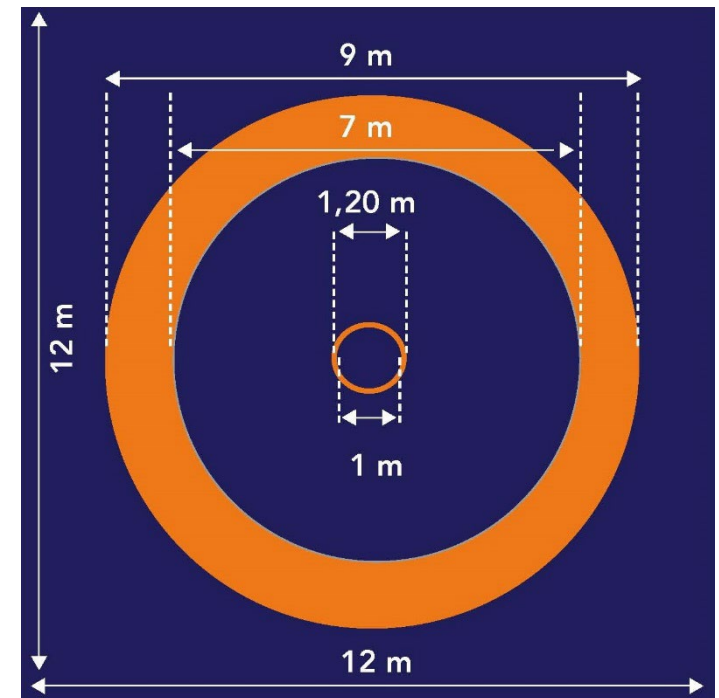
COVER ONLY FOR COMPETITION WRESTLING MATS (UWW APPROVED)



- ❑ Dimensions: 12.25 x 12.25 m
- ❑ Colour: three colours
- ❑ Cover made from 1000 denier PVC, class M2 fire rating, phthalate-free and UV-resistant
- ❑ Attached by 5 cm self-gripping strips to a soft, flexible surrounding frame (roll-up track type)
- ❑ For greater resistance, the cover circles are bonded rather than painted

TECHNICAL SPECIFICATIONS

- ❑ Measuring 12.25 m x 12.25 m, overhanging the mats, covering their edges and extending onto the floor for a better finish. Cover made from 1000 denier PVC, class M2 fire rating, phthalate-free and UV-resistant. Attached by 5 cm self-gripping strips, on the underside of the cover, to a flexible, carpet-foam surrounding frame (roll-up track type). For greater resistance, the cover circles are bonded rather than painted.
- ❑ Centre circle:
 - Diameter: 1.20 m (inner) x 1 m (outer)
 - Colour: orange (Pantone 158C)
 - Marking in accordance with the UWW standard
- ❑ Gymnastics area:
 - Diameter: 7 m
 - Colour: dark blue (Pantone 2757C)
 - Including centre circle
 - Marking in accordance with the UWW standard
- ❑ End of the gymnastics area, passivity zone:
 - Diameter: between 7 m and 9 m, 1 m wide, bordering the central gymnastics area
 - Colour: orange (Pantone 158C)
- ❑ Safety area outside the gymnastics practice area:
 - Dimensions: up to 12 x 12 m
 - Colour: navy blue (Pantone 654C)



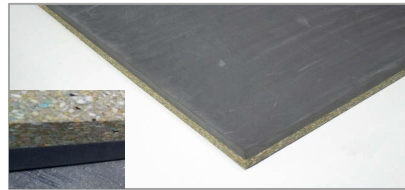
FOAM MAT CONSISTING OF:

- ❑ Total area = 12 m x 12 m x 60 mm => 144 m².
- ❑ Central dual-density foam:
Central area in dual-density foam, 11 x 11 m, 6 cm thick, made up of 60 panels of 2 x 1 m and 1 panel of 1 x 1 m.

- ❑ Composition:

- Top layer:

Polyethylene foam: 3 cm
Minimum density 45 kg/m³



- Bottom layer:

Bonded polyurethane foam: 3 cm Minimum
density 120 kg/m³

- ❑ Surrounding frame:

Flexible carpet foam made up of 20 edges measuring
2.30 m x 0.5 m and 6 cm thick.

Composition:

- A blue needle-punched carpet glued on top of the 6 mm thick foam, allowing self-gripping strips to be attached to the underside of the cover.

- Dual-density foam:

Polyethylene foam:

- Light grey
- Density 28 kg/m³

Non-slip polyethylene foam

- Black
- Density 40 kg/m³

Area of dual-density foam 12 x 12 m, 5 cm thick (Ref.: 523/10) - Bottom view

